



- Digital panel
- Weatherproof high resolution TFT LCD monitor (with remote control, mounting bracket and accessories)
- Composite, VGA video inputs
- Selectable mirror-image mode
- Active matrix for absolute picture clarity
- OSD for AV source (color, brightness, contrast, tint & volume control)
- NTSC and PAL
- Integrated audio speaker
- Wide range input voltage (DC 12V~32V)

# SPECIFICATION

**Screen size**  
5.0" (diagonal)

**LCD Type**  
TFT-LCD Color

**Contrast ratio**  
500:1

**Brightness**  
350cd/m<sup>2</sup>

**MTBF**  
10,000 Hours

**Viewing angle**  
Up:45° / Down:55° / Right:60° / Left:60°

**Input signal feature**  
Composite (75Ω)

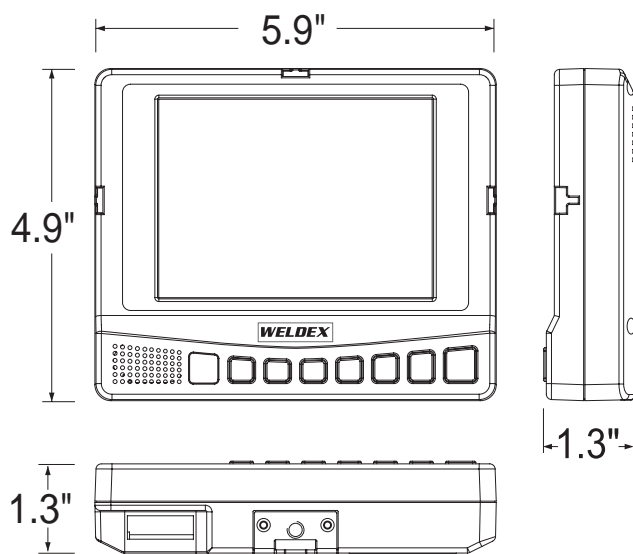
**Power consumption**  
9W (Monitor only)

**Size (W x D x H)**  
5.9" x 1.3" x 4.9"

**Power source**  
DC12V ~ 32V

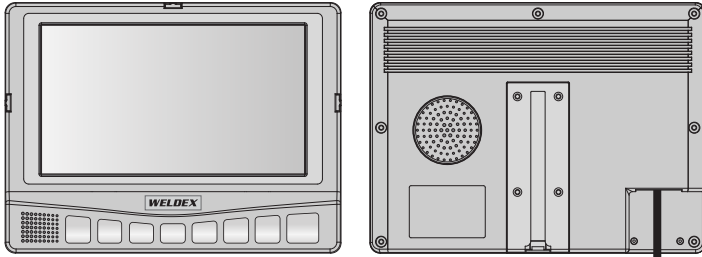
**Temperature (working)**  
-4°F ~ +176°F (-20°C ~ +70°C)

**Temperature (storage)**  
-22°F ~ +186°F (-30°C ~ +80°C)



[5 Inch Series]

### ／ DIMENSIONS



WDL-5001M/7001M/8001M	Composite video + audio
WDL-5002M/7002M/8002M	D-sub + audio
WDL-5003M/7003M/8003M	Composite video + D - sub + audio

